

Introduction

These instructions show how to change the serial address and how to mount the following ALPHA series signs: Personal Priority Display (PPD), Big Dot, Series 200, Series 300, Series 4000, and Series 7000.

Changing the serial address

An ALPHA sign's serial address is a number from 0 to 255 in hexadecimal (00 to FF). An ALPHA SA sign's serial address is a number from 000 to 255 in decimal (000 to 255.) The address is used to identify the sign in a network of signs. All signs leave the factory with a default address of 0 or 000.



To change the serial address on all the signs *except the PPD*, follow these steps:

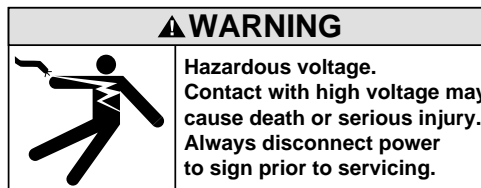
1. Point a hand-held Remote Control (shown at left) at the sign, and press **PROGRAM**.
2. Press **BACK** until *SET SERIAL ADDRESS* (or *SET ADDRESS*) is displayed.
3. Press **ADV** and *SERIAL ADDRESS = 00* (or *ADDRESS = 00*) will appear.
4. Type in the new serial address using the numbered keys on the Remote Control. (A serial address is actually a number from 0 to 255 in *hexadecimal*. Typically, a number from 00 to 99 is used.)
5. Press **RUN** twice to set the new serial address and return the sign to normal operation.

To change the serial address on a PPD, follow these steps:

1. Press the **A** and **B** keys on the front of the PPD at the same time.
2. Press **B** until *SET SERIAL (A)* appears.
3. Press **A**. The sign should display the following: *A Next, B Change* and the current serial address below.
4. Press **B** to change the first digit of the serial address.
5. Then press **A** to select the second digit.
6. Press **B** to change the second digit of the serial address.
7. Press **A** (for *Next*).
8. Press **A** and **B** at the same time. Then press **A** (for *RESUME*).

Mounting instructions

Before mounting a sign, remove power from the sign.

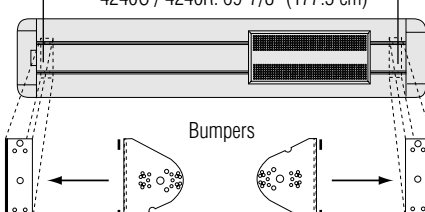
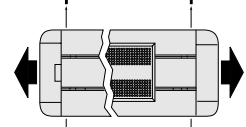
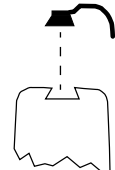
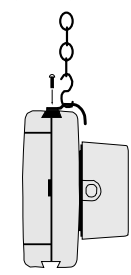
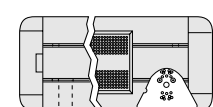
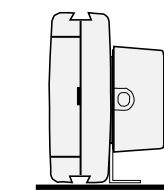
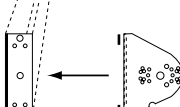
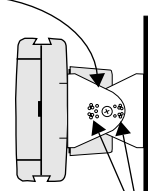


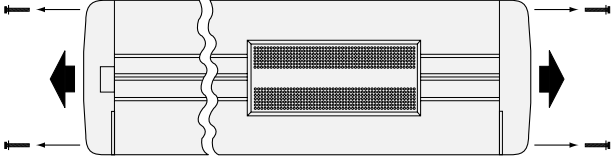
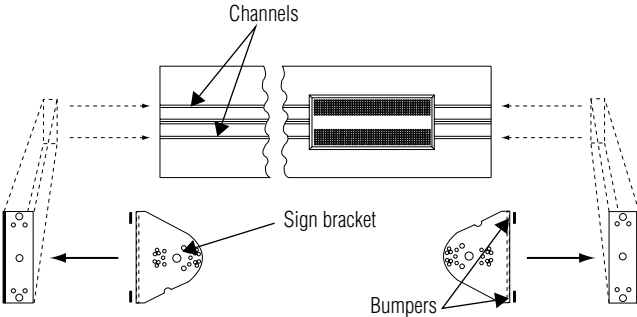
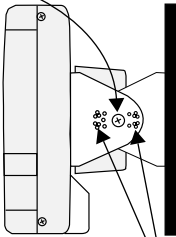
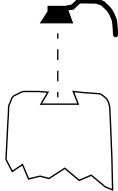
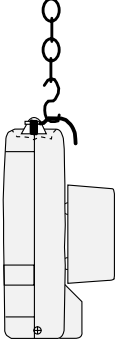
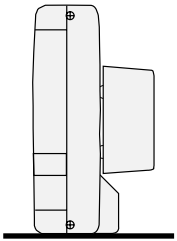
NOTE: ALPHA signs are for *indoor use only* and should not be continuously exposed to direct sunlight.

NOTE: Mounting hardware that is used to hang or suspend a sign must be able of supporting *at least 4 times* the weight of the sign.

Model (weight)	Mounting instructions		
	Wall	Ceiling	Counter
PPD (1 lb 5 oz, 595.35 g)	<p style="text-align: center;">Ceiling mounts — 9 3/8" (23.8 cm) apart —</p> <p style="text-align: center;">Wall mounting holes 4" (10.2 cm) apart</p>	<p style="text-align: center;">The mounting bracket and screws are included.</p>	<p style="text-align: center;">The mounting bracket and screws are included.</p>

Model (weight)	Mounting instructions		
	Wall	Ceiling	Counter
215C (6.25 lb, 2.83 kg) 215R (6.25 lb, 2.83 kg)	<p>← Flip-up ceiling mounts 24" (61 cm) apart →</p> <p>Wall mounting holes 24" (61 cm) or 16" (40.6 cm) apart or</p> <p>A mounting kit (pn 1040-9005) can be used to mount the sign on a wall, ceiling, or counter. (The kit contains brackets that attach to the end of the sign and can swivel.)</p>	<p>The flip-up ceiling mounts will come out if the sign is turned over.</p>	<p>The sign will stand up if placed on a counter. However, for greater stability use a mounting kit (pn 1040-9005).</p>
220C (4.7 lbs, 2.13 kg)	<ol style="list-style-type: none"> 1. Attach the mounting brackets to the wall or surface. 2. Attach the sign to the mounting brackets using screws and washers as shown <p>36.5 inches (92.7 cm)</p> <p>Flat washers (between bracket and sign)</p> <p>Top View</p> <p>Mounting bracket</p> <p>Screws and lock washers</p> <p>Front View</p>	<p>Attach the ceiling bracket to the sign (screws provided)</p> <p>Ceiling mount</p> <p>Note: Mounting chain and ceiling hook (not supplied) must be able to support at least four times the weight of the sign</p>	<p>The sign will stand up if placed on a counter. However, for greater stability use the mounting kit (pn 1036-9003).</p>
Big Dot (12.25 lbs, 5.6 kg)	<ol style="list-style-type: none"> 1. Attach two wall brackets in the mounting kit (pn 1038-9003) to a wall 46 3/4" (118.7 cm) apart (measured from the center of each bracket). 2. Attach the mounting brackets to the sign as shown. <p>Wall mounting distance</p> <p>Lock washers</p>	<p>Using the mounting kit (pn 1038-9003) and a chain (not supplied in the kit), mount the sign from the ceiling as shown:</p>	<p>The sign will stand up if placed on a counter. However, for greater stability use the mounting kit (pn 1038-9003):</p>
320C (12.5 lbs, 5.7 kg) 330C (17 lbs, 7.7 kg)	<ol style="list-style-type: none"> 1. Attach two wall brackets in the mounting kit (pn 1043-9005) to a wall the following approximate distance apart (measured from the center of each bracket): 320C: 51 1/4" (130.2 cm) 330C: 78 3/4" (200 cm) 2. Unscrew the two screws that secure each end cap to the sign. Then remove the end caps. 3. Fasten the two sign brackets to the sign using the supplied hex screws. 4. Connect the sign brackets to the wall brackets using the supplied two, large bolts and lock washers. <p>Wall bracket</p> <p>Wall mounting distance</p> <p>Wall brackets</p> <p>Sign brackets</p> <p>Lock washers</p> <p>Hex screws</p> <p>NOTE: Do NOT install the sign directly to drywall or plasterboard. The sign must be fastened to a wall capable of supporting at least 250 pounds (113.3 kg).</p> <p>NOTE: Keep a minimum 1.0-inch (2.54 cm) clearance on all sides of the sign for adequate ventilation.</p>	<ol style="list-style-type: none"> 1. Remove the end cap from each side of the sign by unscrewing the two screws that hold each end cap to the sign. 2. Insert a mounting bracket into the "rail" on each side of the sign. 3. Slide the mounting brackets to the desired locations. Then use the supplied screws to fasten each mounting bracket to the sign. Use a chain (not supplied) to hang the sign from a ceiling. <p>NOTE: Choose a chain and mounting system capable of supporting a minimum of 250 pounds (113.3 kg).</p> <p>NOTE: Keep a minimum 1.0-inch (2.54 cm) clearance on all sides of the sign for adequate ventilation.</p>	<ol style="list-style-type: none"> 1. Attach the two mounting brackets to the sign as described in the wall mounting instructions. 2. Either rest the sign on the mounting brackets or fasten the brackets to the counter. <p>NOTE: Keep a minimum 1.0-inch (2.54 cm) clearance on all sides of the sign for adequate ventilation.</p>

Model (weight)	Mounting instructions		
	Wall	Ceiling	Counter
4120C 4120R (18.5 lbs, 8.4 kg)	<ol style="list-style-type: none"> Attach two wall brackets to a wall the following approximate distance apart (measured from the center of each bracket): 4120C / 4120R: 34" (86.4 cm) 4160C / 4160R: 46" (116.8 cm) 4200C / 4200R: 57-7/8" (147 cm) 4240C / 4240R: 69-7/8" (177.5 cm) 	<ol style="list-style-type: none"> Remove the end cap from each side of the sign by unscrewing the two screws that hold each end cap to the sign:  Insert a mounting bracket (shown below) into the "rail" on each side of the sign.  Slide the mounting brackets to the desired locations. Then use the supplied screws to fasten each mounting bracket to the sign. Use a chain (not supplied) to hang the sign from a ceiling.  	<ol style="list-style-type: none"> Stick two rubber "bumpers" on each mounting bracket. The bumpers should end up between the bracket and the sign. Attach each mounting bracket to the sign using two screws (supplied) per bracket:  Either rest the sign on the mounting brackets or fasten the brackets to the counter. 
4160C 4160R (24.5 lbs, 11.2 kg)	<ol style="list-style-type: none"> Stick two rubber "bumpers" to the bottom of each sign bracket. The bumpers should end up between the sign bracket and the sign. Then use four screws to attach each sign bracket to the sign.  Connect the sign brackets to the wall brackets using the two, large bolts supplied.  Tilt the sign to select a viewing angle. To hold the sign in place, insert a cotter pin into the small holes located on each bracket (see arrows). 	<p>NOTE: Choose a chain and mounting system capable of supporting a minimum of 250 pounds (113.3 kg).</p> <p>NOTE: Keep a minimum 1.0-inch (2.54 cm) clearance on all sides of the sign for adequate ventilation.</p>	<p>NOTE: Keep a minimum 1.0-inch (2.54 cm) clearance on all sides of the sign for adequate ventilation.</p>
4200C 4200R (31 lbs, 14.1 kg)	<p>NOTE: Do NOT install the sign directly to drywall or plasterboard. The sign must be fastened to a wall capable of supporting at least 250 pounds (113.3 kg).</p>		
4240C 4240R (37.5 lbs, 17 kg)	<p>NOTE: Keep a minimum 1.0-inch (2.54 cm) clearance on all sides of the sign for adequate ventilation.</p>		

Model (weight)	Mounting instructions		
	Wall	Ceiling	Counter
<p>7080C (15 lbs, 6.8 kg)</p> <p>7120C (20 lbs, 9 kg)</p> <p>7160C (26 lbs, 11.8 kg)</p> <p>7200C (32 lbs, 14.5 kg)</p>	<p>1. Remove the end cap from each side of the sign by unscrewing the two screws that hold each end cap to the sign:</p>  <p>2. Stick two rubber "bumpers" to the bottom of each sign bracket. The bumpers should end up between the sign bracket and the sign.</p> <p>Place four screws through the <i>bottom</i> of each bracket. Then screw a nut onto each.</p> <p>Slide the screw heads on each bracket into the two "channels" on the sign.</p> <p>Position the brackets where you want them. Then tighten the screws using a 9/32" (7 mm) socket wrench.</p>  <p>3. Attach two brackets to a wall. The distance between these brackets will depend on how far apart you spaced the sign brackets.</p> <p>4. Connect the sign brackets to the wall brackets using the two, large bolts supplied.</p>  <p>5. Tilt the sign to select a viewing angle. To hold the sign in place, insert a cotter pin into the small holes located on each bracket (see arrows).</p> <p>NOTE: Do NOT install the sign directly to drywall or plasterboard. The sign must be fastened to a wall capable of supporting at least 250 pounds (113.3 kg).</p> <p>NOTE: Keep a minimum 1.0-inch (2.54 cm) clearance on all sides of the sign for adequate ventilation.</p>	<p>1. Remove the end cap from each side of the sign by unscrewing the two screws that hold each end cap to the sign (see the wall mounting instructions).</p> <p>2. Insert a mounting bracket (shown below) into the "rail" on each side of the sign.</p>  <p>3. Slide the mounting brackets to the desired locations. Then use the supplied screws to fasten each mounting bracket to the sign. Use a chain (not supplied) to hang the sign from a ceiling.</p>  <p>NOTE: Choose a chain and mounting system capable of supporting a minimum of 250 pounds (113.3 kg).</p> <p>NOTE: Keep a minimum 1.0-inch (2.54 cm) clearance on all sides of the sign for adequate ventilation.</p>	<p>The sign will stand up if placed on a counter.</p>  <p>NOTE: Keep a minimum 1.0-inch (2.54 cm) clearance on all sides of the sign for adequate ventilation.</p>